

Notice de montage / Assembly instructions


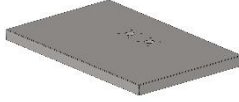









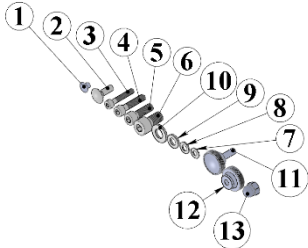
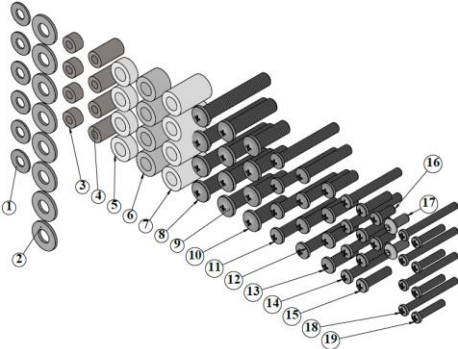
XENON simple écran et XENON TOUCH
XENON single screen and XENON TOUCH


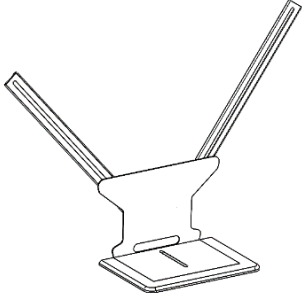
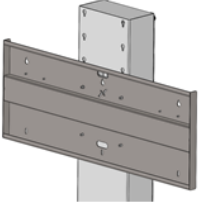


Composition / Packing list :

- Colis N°1 : socle + accessoires

Package N°1 : base + accessories

Socle + habillage <i>Base + cover</i>																																																																																			
																																																																																			
	4 Patins téflons 4 Teflon pads	4 roulettes Ø35 4 casters Ø35	4 roulettes Ø100 4 casters Ø100																																																																																
Paire de fixations fixes <i>Mounting brackets</i>																																																																																			
1 barre VESA <i>1 VESA bar</i>																																																																																			
Une multiprise <i>(unavailable for UK/DE)</i>																																																																																			
8 Colliers de serrage <i>8 plastic clamps</i>																																																																																			
Un jeu de clés <i>Allen key set</i>																																																																																			
Un kit visserie meuble <i>Bolting kit (furniture)</i>	 <table border="1"> <thead> <tr> <th>Rep</th> <th>Qté</th> <th>Désignation</th> </tr> </thead> <tbody> <tr> <td>1</td> <td>16</td> <td>Bouchon M5</td> </tr> <tr> <td>2</td> <td>4</td> <td>Vis jappé M5x15</td> </tr> <tr> <td>3</td> <td>2</td> <td>Vis CHC M4x25</td> </tr> <tr> <td>4</td> <td>2</td> <td>Vis CHC M5x25</td> </tr> <tr> <td>5</td> <td>12</td> <td>Vis CHC M6x20</td> </tr> <tr> <td>6</td> <td>6</td> <td>Vis CHC M8x16</td> </tr> <tr> <td>7</td> <td>2</td> <td>Rondelle plate M4</td> </tr> <tr> <td>8</td> <td>2</td> <td>Rondelle plate M5</td> </tr> <tr> <td>9</td> <td>12</td> <td>Rondelle plate M6</td> </tr> <tr> <td>10</td> <td>6</td> <td>Rondelle plate M8</td> </tr> <tr> <td>11</td> <td>8</td> <td>Vis molette M5</td> </tr> <tr> <td>12</td> <td>4</td> <td>Ecrou molette M5</td> </tr> <tr> <td>13</td> <td>4</td> <td>Ecrou borgne M6</td> </tr> </tbody> </table>			Rep	Qté	Désignation	1	16	Bouchon M5	2	4	Vis jappé M5x15	3	2	Vis CHC M4x25	4	2	Vis CHC M5x25	5	12	Vis CHC M6x20	6	6	Vis CHC M8x16	7	2	Rondelle plate M4	8	2	Rondelle plate M5	9	12	Rondelle plate M6	10	6	Rondelle plate M8	11	8	Vis molette M5	12	4	Ecrou molette M5	13	4	Ecrou borgne M6																																						
Rep	Qté	Désignation																																																																																	
1	16	Bouchon M5																																																																																	
2	4	Vis jappé M5x15																																																																																	
3	2	Vis CHC M4x25																																																																																	
4	2	Vis CHC M5x25																																																																																	
5	12	Vis CHC M6x20																																																																																	
6	6	Vis CHC M8x16																																																																																	
7	2	Rondelle plate M4																																																																																	
8	2	Rondelle plate M5																																																																																	
9	12	Rondelle plate M6																																																																																	
10	6	Rondelle plate M8																																																																																	
11	8	Vis molette M5																																																																																	
12	4	Ecrou molette M5																																																																																	
13	4	Ecrou borgne M6																																																																																	
Kit visserie écran <i>Bolting kit (screens)</i>	 <table border="1"> <thead> <tr> <th>Rep</th> <th>Qté</th> <th>Désignation</th> <th>Désignation</th> </tr> </thead> <tbody> <tr> <td>1</td> <td>8</td> <td>Rondelle M6</td> <td>Washer M6</td> </tr> <tr> <td>2</td> <td>8</td> <td>Rondelle plate M6</td> <td>Washer M6</td> </tr> <tr> <td>3</td> <td>4</td> <td>Ecartouche Ø10xØ5 lg 6</td> <td>Spacer Ø10xØ5 lg 6</td> </tr> <tr> <td>4</td> <td>4</td> <td>Ecartouche Ø10xØ5 lg 18</td> <td>Spacer Ø10xØ5 lg 18</td> </tr> <tr> <td>5</td> <td>4</td> <td>Ecartouche Ø15xØ8 lg 6,3</td> <td>Spacer Ø15xØ8 lg 6,3</td> </tr> <tr> <td>6</td> <td>4</td> <td>Ecartouche Ø15xØ8 lg 12</td> <td>Spacer Ø15xØ8 lg 12</td> </tr> <tr> <td>7</td> <td>4</td> <td>Ecartouche Ø15xØ8 lg 24</td> <td>Spacer Ø15xØ8 lg 24</td> </tr> <tr> <td>8</td> <td>4</td> <td>Vis craniforme M6x20</td> <td>Cross-headed screw M6x20</td> </tr> <tr> <td>9</td> <td>4</td> <td>Vis craniforme M6x35</td> <td>Cross-headed screw M6x35</td> </tr> <tr> <td>10</td> <td>4</td> <td>Vis craniforme M6x25</td> <td>Cross-headed screw M6x25</td> </tr> <tr> <td>11</td> <td>4</td> <td>Vis craniforme M6x45</td> <td>Cross-headed screw M6x45</td> </tr> <tr> <td>12</td> <td>4</td> <td>Vis craniforme M6x35</td> <td>Cross-headed screw M6x35</td> </tr> <tr> <td>13</td> <td>4</td> <td>Vis craniforme M6x20</td> <td>Cross-headed screw M6x20</td> </tr> <tr> <td>14</td> <td>4</td> <td>Vis craniforme M5x40</td> <td>Cross-headed screw M5x40</td> </tr> <tr> <td>15</td> <td>4</td> <td>Vis craniforme M5x20</td> <td>Cross-headed screw M5x20</td> </tr> <tr> <td>16</td> <td>2</td> <td>Vis craniforme M5x12</td> <td>Cross-headed screw M5x12</td> </tr> <tr> <td>17</td> <td>2</td> <td>Vis CHHC M3x12</td> <td>Screw CHHC M3x12</td> </tr> <tr> <td>18</td> <td>4</td> <td>Vis craniforme M4x40</td> <td>Cross-headed screw M4x40</td> </tr> <tr> <td>19</td> <td>4</td> <td>Vis craniforme M4x20</td> <td>Cross-headed screw M4x20</td> </tr> </tbody> </table>			Rep	Qté	Désignation	Désignation	1	8	Rondelle M6	Washer M6	2	8	Rondelle plate M6	Washer M6	3	4	Ecartouche Ø10xØ5 lg 6	Spacer Ø10xØ5 lg 6	4	4	Ecartouche Ø10xØ5 lg 18	Spacer Ø10xØ5 lg 18	5	4	Ecartouche Ø15xØ8 lg 6,3	Spacer Ø15xØ8 lg 6,3	6	4	Ecartouche Ø15xØ8 lg 12	Spacer Ø15xØ8 lg 12	7	4	Ecartouche Ø15xØ8 lg 24	Spacer Ø15xØ8 lg 24	8	4	Vis craniforme M6x20	Cross-headed screw M6x20	9	4	Vis craniforme M6x35	Cross-headed screw M6x35	10	4	Vis craniforme M6x25	Cross-headed screw M6x25	11	4	Vis craniforme M6x45	Cross-headed screw M6x45	12	4	Vis craniforme M6x35	Cross-headed screw M6x35	13	4	Vis craniforme M6x20	Cross-headed screw M6x20	14	4	Vis craniforme M5x40	Cross-headed screw M5x40	15	4	Vis craniforme M5x20	Cross-headed screw M5x20	16	2	Vis craniforme M5x12	Cross-headed screw M5x12	17	2	Vis CHHC M3x12	Screw CHHC M3x12	18	4	Vis craniforme M4x40	Cross-headed screw M4x40	19	4	Vis craniforme M4x20	Cross-headed screw M4x20
Rep	Qté	Désignation	Désignation																																																																																
1	8	Rondelle M6	Washer M6																																																																																
2	8	Rondelle plate M6	Washer M6																																																																																
3	4	Ecartouche Ø10xØ5 lg 6	Spacer Ø10xØ5 lg 6																																																																																
4	4	Ecartouche Ø10xØ5 lg 18	Spacer Ø10xØ5 lg 18																																																																																
5	4	Ecartouche Ø15xØ8 lg 6,3	Spacer Ø15xØ8 lg 6,3																																																																																
6	4	Ecartouche Ø15xØ8 lg 12	Spacer Ø15xØ8 lg 12																																																																																
7	4	Ecartouche Ø15xØ8 lg 24	Spacer Ø15xØ8 lg 24																																																																																
8	4	Vis craniforme M6x20	Cross-headed screw M6x20																																																																																
9	4	Vis craniforme M6x35	Cross-headed screw M6x35																																																																																
10	4	Vis craniforme M6x25	Cross-headed screw M6x25																																																																																
11	4	Vis craniforme M6x45	Cross-headed screw M6x45																																																																																
12	4	Vis craniforme M6x35	Cross-headed screw M6x35																																																																																
13	4	Vis craniforme M6x20	Cross-headed screw M6x20																																																																																
14	4	Vis craniforme M5x40	Cross-headed screw M5x40																																																																																
15	4	Vis craniforme M5x20	Cross-headed screw M5x20																																																																																
16	2	Vis craniforme M5x12	Cross-headed screw M5x12																																																																																
17	2	Vis CHHC M3x12	Screw CHHC M3x12																																																																																
18	4	Vis craniforme M4x40	Cross-headed screw M4x40																																																																																
19	4	Vis craniforme M4x20	Cross-headed screw M4x20																																																																																
Notice de montage <i>Assembly instruction</i>																																																																																			

OPTIONS		
<i>Un support codec Codec holder</i>	SCUV12	
<i>Un support camera Camera holder</i>	SCUV3 R1	
<i>Fixation forte charge Heavy load screen fixing</i>	KIT ADT 75 100	
<i>Haut-parleur avec ampli Loudspeaker and amp option</i>		

- Colis N°2 : colonne avec carter
Package N°2 : column with carter



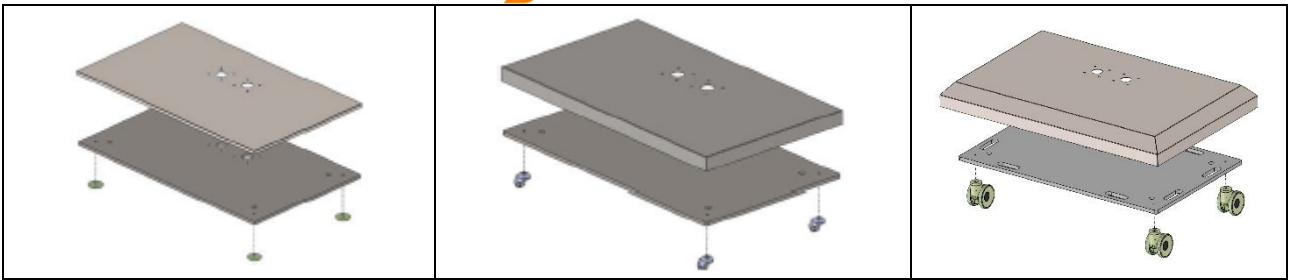
NOTICE DE MONTAGE / ASSEMBLY INSTRUCTIONS

Etape 1 :

- Selon l'option choisie, assembler les patins téflons ou les roulettes Ø35 ou les roulettes Ø100
- Puis, placer l'habillage sur le socle

Step 1 :

- According to the option, fix the Teflon pads or the Ø35 castors or the Ø100 castors
- Then, place the cover on the base

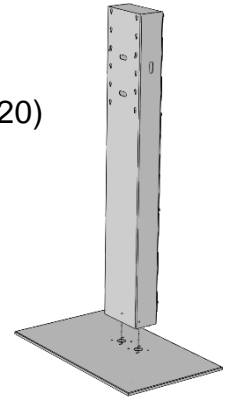


Etape 2 :

- Monter la colonne sur le socle (8 rondelles M8 + 8 vis CHC M8x20)

Step 2 :

- *Fix the column to the base (8 CHC M8x20 screws + 8 M8 washers)*



Etape 3 :

Step 3 :

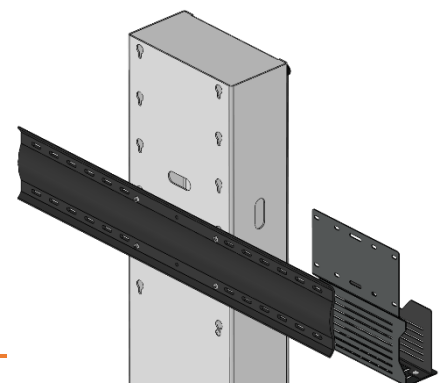
Barre VESA	FORTE CHARGE (option)
<ul style="list-style-type: none"> • Monter la barre VESA sur la colonne (5 positions possibles) (4 Vis CHC M6x20 + 8 rondelles M6 + 4 écrous M6) • <i>Mount the VESA bar onto the column (5 possible positions) (4 screws CHC M6x20 + 8 washers M6 + 4 nuts M6)</i> 	<ul style="list-style-type: none"> • Monter le support forte charge sur la colonne (4 positions possibles) (6 Vis M8x20) • <i>Mount the heavy load screen fixing on the column (4 possible positions) (6 M8x20 screws)</i>

Etape 4 : (option support codec)

- Monter le support codec derrière la barre VESA
(4 vis tête bombé carré M5x20 + 4 écrous moletés M5)

Step 4 : (codec holder option)

- *Fix the codec holder behind the VESA bar
(4 Screws CBHC M5x20 + 4 Knurled screws M5)*



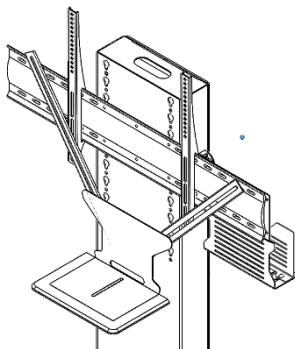
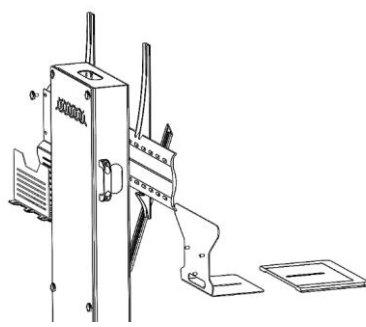
VC PACK



Etape 5 :

- Installer la tablette acier
- Aimanter la tablette plexi et fixer la caméra

Step 5 :

- *Install the steel shelf*
- *Magnetize the plexiglass tablet and fix the camera*

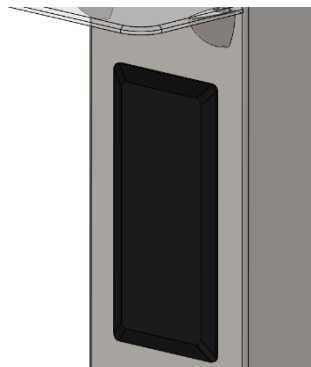
Sachet VC PACK / bolting kit VC PACK		
	Ecrou Moleté M5 / Knurled nut M5	x 2
	Vis pas photo / Camera screw	x 1

Etape 6 : (option haut-parleur et ampli)

-
- Monter le haut-parleur sur la colonne
- Procéder au câblage du HP sur l'ampli (préalablement monté dans la colonne)

Step 6 : (loudspeaker and amp option)

- *Fix the loudspeaker onto the column*
- *Connect the amp (already assembled onto the column)*

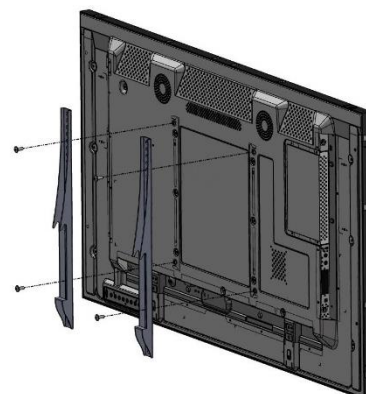


Etape 7 :

- Monter la paire de fixations fixes sur l'écran (vis fournies dans le kit visserie écran)

Step 7 :

- *Fix the mounting brackets on the screen (screws provided in the bolting kit)*

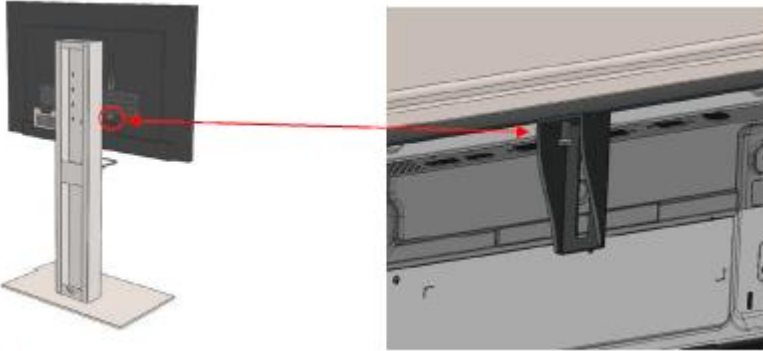


Etape 8 :

- Monter l'écran sur la barre VESA
- Sécuriser l'écran (vis fournies dans le kit visserie écran)

Step 8 :

- *Fix the screen on the VESA bar*
- *Secure the screen (screws provided in the bolting kit)*



Warning :

Tightening just in contact.
Do not tighten too hard

Attention :

Serrage juste en contact.
Ne pas serrer trop fort

Etape 9 :

- Procéder au câblage

Step 9 :

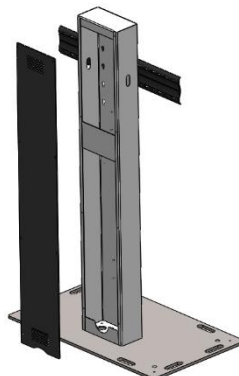
- *Proceed with cabling*

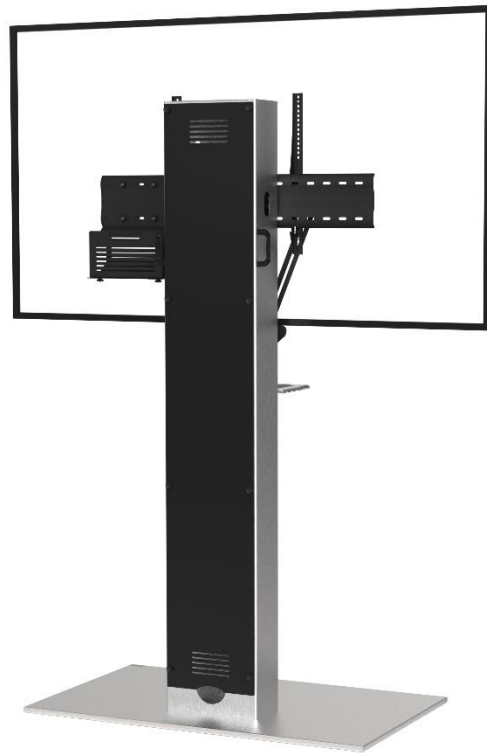
Etape 10 :

- Retirer les films de protection du carter avant de le monter sur la colonne (8 vis moletées M5)

Step 10 :

- *Remove the protective film of the rear cover before fitting them on the column (8 knurled screws M5)*





Le montage de votre XENON est terminé !

Your XENON is ready !