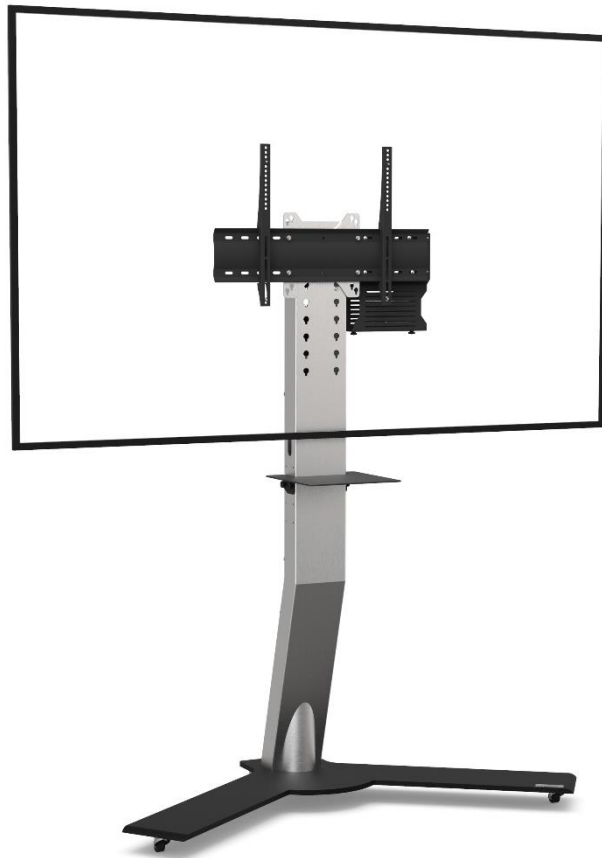


## **Notice de montage / Assembly instructions**

*EKINOX XL simple écran / EKINOX XL single screen*



## Composition / Packing list :






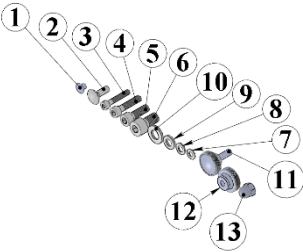

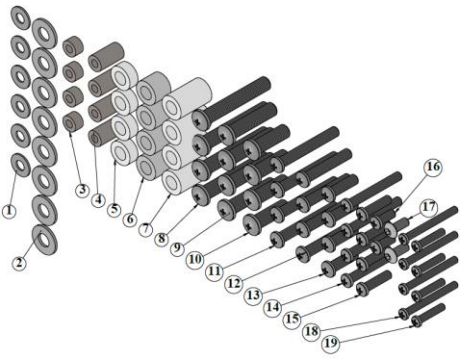

- Colis N°1 : socle XL avec roulettes

Package N°1 : XL base with casters



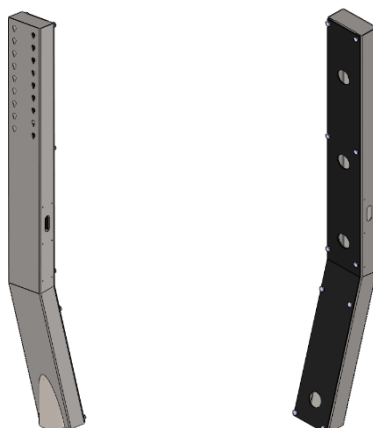
- Colis N°2 : accessoires



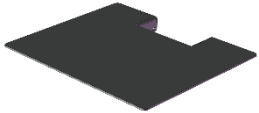
Package N°2 : accessories

<p>1 barre VESA 1 VESA bar</p>																																																																																	
<p>Paire de fixations fixes Mounting brackets</p>																																																																																	
<p>Une platine de fixation avec vis prémontées Fixing plate with pre-mounted screws</p>																																																																																	
<p>Une multiprise (unavailable for UK/DE)</p>																																																																																	
<p>8 Colliers de serrage 8 plastic clamps</p>																																																																																	
<p>Un kit visserie meuble Bolting kit (furniture)</p>	 <table border="1" data-bbox="1034 1155 1198 1435"> <thead> <tr> <th>Rep</th> <th>Qté</th> <th>Désignation</th> </tr> </thead> <tbody> <tr><td>1</td><td>16</td><td>Bouchon M5</td></tr> <tr><td>2</td><td>4</td><td>Vis japy M5x15</td></tr> <tr><td>3</td><td>2</td><td>Vis CHC M4x25</td></tr> <tr><td>4</td><td>2</td><td>Vis CHC M5x25</td></tr> <tr><td>5</td><td>12</td><td>Vis CHC M6x20</td></tr> <tr><td>6</td><td>6</td><td>Vis CHC M8x16</td></tr> <tr><td>7</td><td>2</td><td>Rondelle plate M4</td></tr> <tr><td>8</td><td>2</td><td>Rondelle plate M5</td></tr> <tr><td>9</td><td>12</td><td>Rondelle plate M6</td></tr> <tr><td>10</td><td>6</td><td>Rondelle plate M8</td></tr> <tr><td>11</td><td>8</td><td>Vis molette M5</td></tr> <tr><td>12</td><td>4</td><td>Ecrou molette M5</td></tr> <tr><td>13</td><td>4</td><td>Ecrou borgne M6</td></tr> </tbody> </table> 	Rep	Qté	Désignation	1	16	Bouchon M5	2	4	Vis japy M5x15	3	2	Vis CHC M4x25	4	2	Vis CHC M5x25	5	12	Vis CHC M6x20	6	6	Vis CHC M8x16	7	2	Rondelle plate M4	8	2	Rondelle plate M5	9	12	Rondelle plate M6	10	6	Rondelle plate M8	11	8	Vis molette M5	12	4	Ecrou molette M5	13	4	Ecrou borgne M6																																						
Rep	Qté	Désignation																																																																															
1	16	Bouchon M5																																																																															
2	4	Vis japy M5x15																																																																															
3	2	Vis CHC M4x25																																																																															
4	2	Vis CHC M5x25																																																																															
5	12	Vis CHC M6x20																																																																															
6	6	Vis CHC M8x16																																																																															
7	2	Rondelle plate M4																																																																															
8	2	Rondelle plate M5																																																																															
9	12	Rondelle plate M6																																																																															
10	6	Rondelle plate M8																																																																															
11	8	Vis molette M5																																																																															
12	4	Ecrou molette M5																																																																															
13	4	Ecrou borgne M6																																																																															
<p>Kit visserie écran Bolting kit (screens)</p>	 <table border="1" data-bbox="1153 1451 1385 1675"> <thead> <tr> <th>Rep</th> <th>Qté</th> <th>Désignation</th> <th>Désignation</th> </tr> </thead> <tbody> <tr><td>1</td><td>4</td><td>Rondelle M6</td><td>Washer M6</td></tr> <tr><td>2</td><td>8</td><td>Rondelle plate M8</td><td>Washer M8</td></tr> <tr><td>3</td><td>4</td><td>Entonnoir Ø10xØ5 lg 6</td><td>Spacer Ø10xØ5 lg 6</td></tr> <tr><td>4</td><td>4</td><td>Entonnoir Ø10xØ5 lg 18</td><td>Spacer Ø10xØ5 lg 18</td></tr> <tr><td>5</td><td>4</td><td>Entonnoir Ø15xØ8 lg 6,5</td><td>Spacer Ø15xØ8 lg 6,5</td></tr> <tr><td>6</td><td>4</td><td>Entonnoir Ø15xØ8 lg 12</td><td>Spacer Ø15xØ8 lg 12</td></tr> <tr><td>7</td><td>4</td><td>Entonnoir Ø15xØ8 lg 24</td><td>Spacer Ø15xØ8 lg 24</td></tr> <tr><td>8</td><td>4</td><td>Vis cruciforme M8x20</td><td>Cross-headed screw M8x20</td></tr> <tr><td>9</td><td>4</td><td>Vis cruciforme M8x15</td><td>Cross-headed screw M8x15</td></tr> <tr><td>10</td><td>4</td><td>Vis cruciforme M8x12</td><td>Cross-headed screw M8x12</td></tr> <tr><td>11</td><td>4</td><td>Vis cruciforme M6x15</td><td>Cross-headed screw M6x15</td></tr> <tr><td>12</td><td>4</td><td>Vis cruciforme M6x13</td><td>Cross-headed screw M6x13</td></tr> <tr><td>13</td><td>4</td><td>Vis cruciforme M6x20</td><td>Cross-headed screw M6x20</td></tr> <tr><td>14</td><td>4</td><td>Vis cruciforme M5x40</td><td>Cross-headed screw M5x40</td></tr> <tr><td>15</td><td>4</td><td>Vis cruciforme M5x30</td><td>Cross-headed screw M5x30</td></tr> <tr><td>16</td><td>2</td><td>Vis cruciforme M5x12</td><td>Cross-headed screw M5x12</td></tr> <tr><td>17</td><td>2</td><td>Vis CHC M5x12</td><td>Screw CHC M5x12</td></tr> <tr><td>18</td><td>4</td><td>Vis cruciforme M4x40</td><td>Cross-headed screw M4x40</td></tr> <tr><td>19</td><td>4</td><td>Vis cruciforme M4x20</td><td>Cross-headed screw M4x20</td></tr> </tbody> </table>	Rep	Qté	Désignation	Désignation	1	4	Rondelle M6	Washer M6	2	8	Rondelle plate M8	Washer M8	3	4	Entonnoir Ø10xØ5 lg 6	Spacer Ø10xØ5 lg 6	4	4	Entonnoir Ø10xØ5 lg 18	Spacer Ø10xØ5 lg 18	5	4	Entonnoir Ø15xØ8 lg 6,5	Spacer Ø15xØ8 lg 6,5	6	4	Entonnoir Ø15xØ8 lg 12	Spacer Ø15xØ8 lg 12	7	4	Entonnoir Ø15xØ8 lg 24	Spacer Ø15xØ8 lg 24	8	4	Vis cruciforme M8x20	Cross-headed screw M8x20	9	4	Vis cruciforme M8x15	Cross-headed screw M8x15	10	4	Vis cruciforme M8x12	Cross-headed screw M8x12	11	4	Vis cruciforme M6x15	Cross-headed screw M6x15	12	4	Vis cruciforme M6x13	Cross-headed screw M6x13	13	4	Vis cruciforme M6x20	Cross-headed screw M6x20	14	4	Vis cruciforme M5x40	Cross-headed screw M5x40	15	4	Vis cruciforme M5x30	Cross-headed screw M5x30	16	2	Vis cruciforme M5x12	Cross-headed screw M5x12	17	2	Vis CHC M5x12	Screw CHC M5x12	18	4	Vis cruciforme M4x40	Cross-headed screw M4x40	19	4	Vis cruciforme M4x20	Cross-headed screw M4x20
Rep	Qté	Désignation	Désignation																																																																														
1	4	Rondelle M6	Washer M6																																																																														
2	8	Rondelle plate M8	Washer M8																																																																														
3	4	Entonnoir Ø10xØ5 lg 6	Spacer Ø10xØ5 lg 6																																																																														
4	4	Entonnoir Ø10xØ5 lg 18	Spacer Ø10xØ5 lg 18																																																																														
5	4	Entonnoir Ø15xØ8 lg 6,5	Spacer Ø15xØ8 lg 6,5																																																																														
6	4	Entonnoir Ø15xØ8 lg 12	Spacer Ø15xØ8 lg 12																																																																														
7	4	Entonnoir Ø15xØ8 lg 24	Spacer Ø15xØ8 lg 24																																																																														
8	4	Vis cruciforme M8x20	Cross-headed screw M8x20																																																																														
9	4	Vis cruciforme M8x15	Cross-headed screw M8x15																																																																														
10	4	Vis cruciforme M8x12	Cross-headed screw M8x12																																																																														
11	4	Vis cruciforme M6x15	Cross-headed screw M6x15																																																																														
12	4	Vis cruciforme M6x13	Cross-headed screw M6x13																																																																														
13	4	Vis cruciforme M6x20	Cross-headed screw M6x20																																																																														
14	4	Vis cruciforme M5x40	Cross-headed screw M5x40																																																																														
15	4	Vis cruciforme M5x30	Cross-headed screw M5x30																																																																														
16	2	Vis cruciforme M5x12	Cross-headed screw M5x12																																																																														
17	2	Vis CHC M5x12	Screw CHC M5x12																																																																														
18	4	Vis cruciforme M4x40	Cross-headed screw M4x40																																																																														
19	4	Vis cruciforme M4x20	Cross-headed screw M4x20																																																																														
<p>2 Poignées 2 Handles</p>																																																																																	
<p>Notice de montage Assembly instruction</p>																																																																																	

- Colis N°3 : colonne avec carter

*Package N°3 : column with carter*



<b>OPTIONS</b>		
<i>Un support codec Codec holder</i>	SCUV12	
<i>Une tablette petit format Small shelf</i>	AX0011	
<i>Une tablette grand format Large shelf</i>	AX0012	

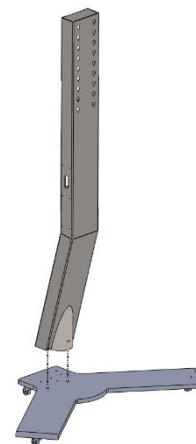
## **NOTICE DE MONTAGE / ASSEMBLY INSTRUCTIONS**

### **Etape 1 :**

- Monter la colonne sur le socle XL  
(4 vis CHC M8x16 + 4 rondelles M8)

### **Step 1 :**

- Fix the column to the XL base (4 CHC M8x16 screws + 4 M8 washers)

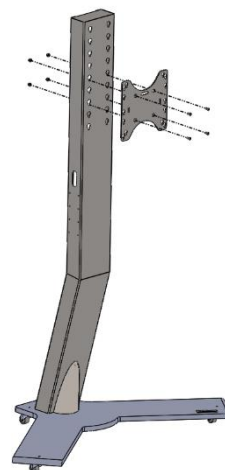


**Etape 2 :**

- Retirer le film de protection et positionner la platine de fixation avec vis pré-montées, sur la colonne (7 positions possibles)

**Step 2 :**

- *Remove the protection film and position the plate with pre-assembled screws on the column (7 possible positions)*

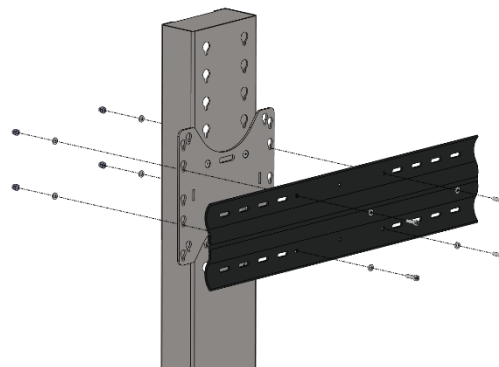


**Etape 3 :**

- Monter la barre VESA sur la platine (4 vis CHC M6x20 + 8 rondelles M6 + 4 écrous borgnes M6)

**Step 3 :**

- *Fix the VESA bar on the plate (4 screws CHC M6x20 + 8 washers M6 + 4 cap nuts M6)*

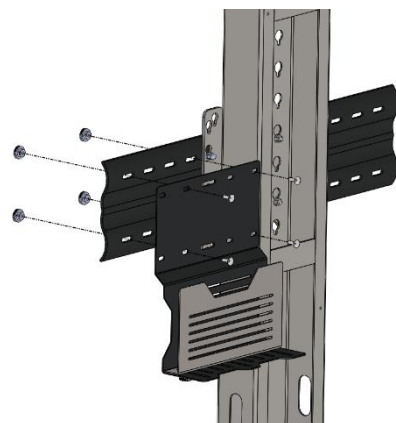


**Etape 4 :** (option support codec)

- Monter le support codec derrière la barre VESA (4 vis tête bombé carré M5x20 + 4 écrous moletés M5)

**Step 4 :** (codec holder option)

- *Fix the codec holder behind the VESA bar (4 Screws CBHC M5x20 + 4 Knurled screws M5)*

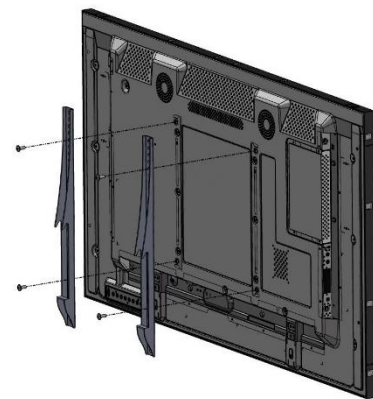


**Etape 5 :**

- Monter la paire de fixations fixes sur l'écran  
(vis fournies dans le kit visserie écran)

**Step 5 :**

- *Fix the mounting brackets on the screen  
(screws provided in the bolting kit)*

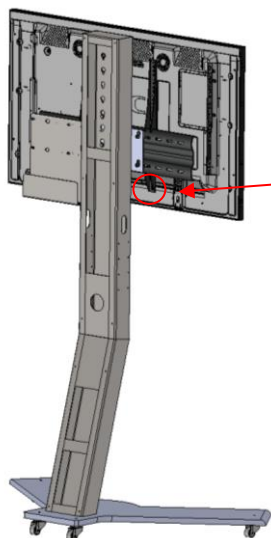


**Etape 6 :**

- Monter l'écran sur la barre VESA
- Sécuriser l'écran (vis fournies dans le kit visserie écran)

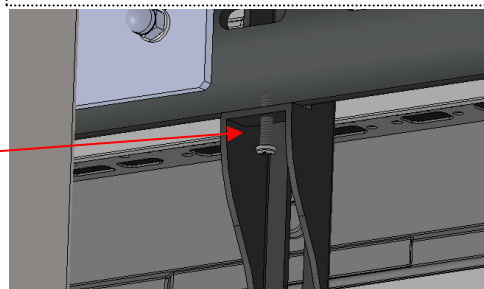
**Step 6 :**

- *Fit the screen on the VESA bar*
- *Secure the screen (screws provided in the bolting kit)*



**Warning :**

Tightening just in contact.  
Do not tighten too hard



**Attention :**

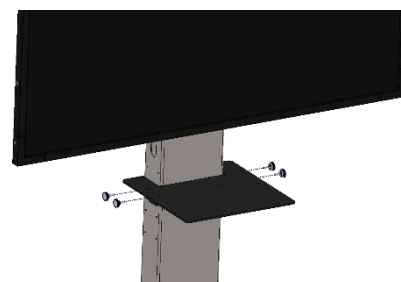
Serrage juste en contact.  
Ne pas serrer trop fort

**Etape 7 :** (option tablette petit format)

- Monter la tablette petit format sur la colonne  
(4 vis moletées M5)

**Step 7 :** (small shelf option)

- *Fix the small shelf on the column (4 knurled screws M5)*

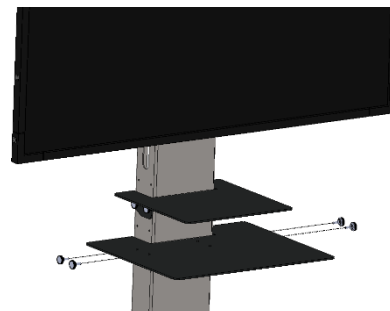


**Etape 8 :** (option tablette grand format)

- Monter la tablette grand format sur la colonne (4 vis moletées M5)

**Step 8 :** (large shelf option)

- Fix the large shelf on the column (4 knurled screws M5)



**Etape 9 :**

- Procéder au câblage

**Step 9 :**

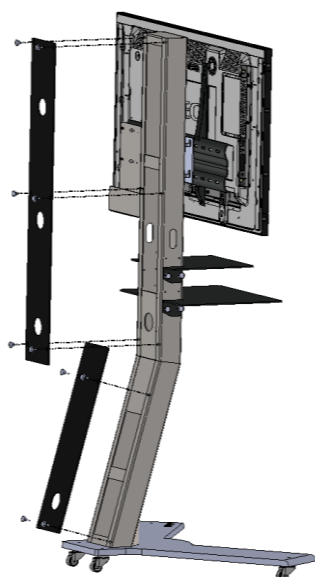
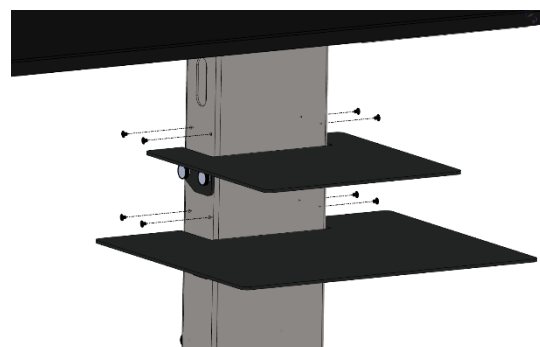
- Proceed with cabling

**Etape 10 :**

- Mettre les bouchons sur la colonne aux emplacements non utilisés

**Step 10 :**

- Fit the caps in the empty holes of the column

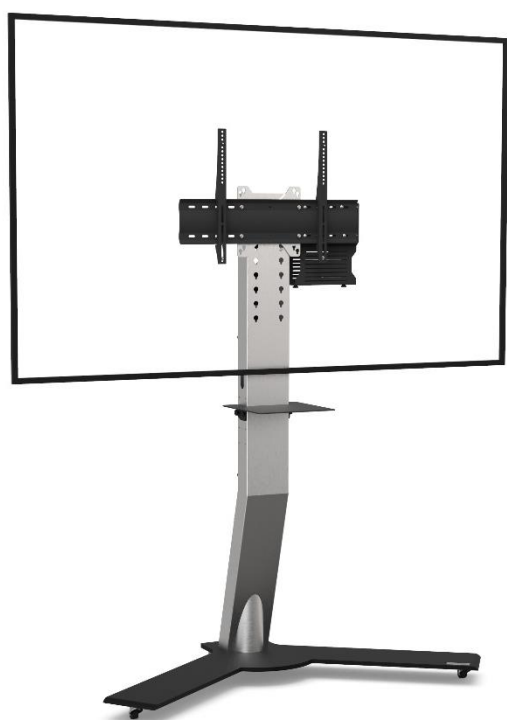


**Etape 11 :**

- Retirer les films de protection du carter avant de le monter sur la colonne (10 vis moletées M5)

**Step 11 :**

- Remove the protective films of the rear covers before fitting them on the column (10 knurled screws M5)



**Le montage de votre EKINOX XL est terminé !**

*The assembly of your EKINOX XL is over !*